


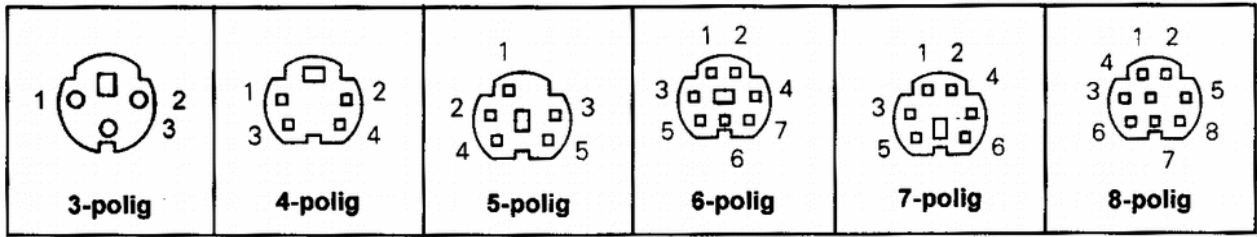


# DIN-Connectors

Prices see [shop.griederbauteile.ch](http://shop.griederbauteile.ch)

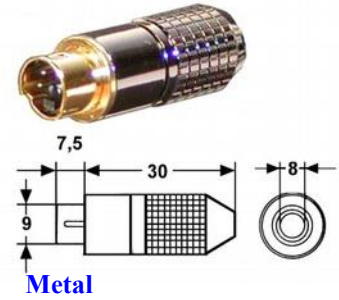
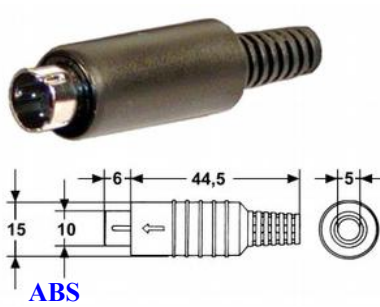
<a href="#">MINIATURE DIN CONNECTORS</a>	Page 2					
<a href="#">DIN CONNECTORS (MALE)</a>	Page 3					
<a href="#">DIN CONNECTORS (FEMALE)</a>	Page 3					
<a href="#">DIN CHASSIS CONNECTOR (MALE)</a>	Page 4					
<a href="#">DIN CHASSIS CONNECTOR (FEMALE)</a>	Page 4					
<a href="#">DIN SPEAKER CONNECTOR</a>	Page 4					
<a href="#">DIN PLUG (MALE) THREADED-JOINT IP40</a>	Page 5					
<a href="#">DIN SOCKET (FEMALE) THREADED-JOINT IP40</a>	Page 5					
<a href="#">DIN CHASSIS PLUG + SOCKET</a>	Page 6					
<a href="#">DIN CIRCULAR CONNECTORS WITH BAYONET</a>	Page 7					
<a href="#">2.5MM PHONE CONNECTORS (AUDIO)</a>	Page 7					
<a href="#">3.5MM + 6.35MM PHONE CONNECTORS (AUDIO)</a>	Page 8					
<a href="#">CINCH/RCA CONNECTORS</a>	Page 9					
<a href="#">LOUDSPEAKER CONNECTORS</a>	Page 10					
<a href="#">LOUDSPEAKER TERMINALS</a>	Page 10					
<a href="#">MIKROPHONE CONNECTORS</a>	Page 10					

**Retro components are only available as long as stock lasts.**



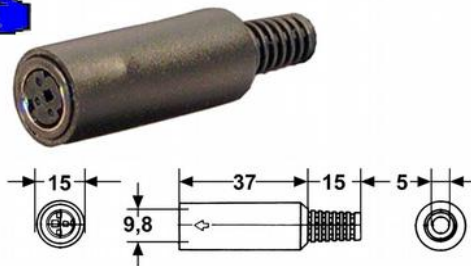
**Miniature DIN Connector (male)**

Order No	Poles	Material	
SGA.MS3K	3	ABS	
SGA.MS3MG		Metal	
SGA.MS4K	4	ABS	(S-VHS)
SGA.MS4MG		Metal	
SGA.MS5K	5	ABS	
SGA.MS5MG		Metal	
SGA.MS6K	6	ABS	(IBM PS/2)
SGA.MS6MG		Metal	
SGA.MS7K	7	ABS	
SGA.MS8K		ABS	
SGA.MS8MG	8	Metal	



**Miniature DIN Connector (female)**

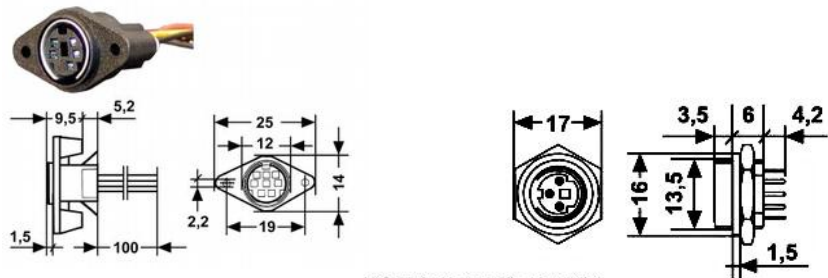
Order No	Poles	Material	
SGA.MK3K	3	ABS	
SGA.MK4K			(S-VHS)
SGA.MK5K	5	ABS	
SGA.MK6K			(IBM PS/2)
SGA.MK7K	7	ABS	
SGA.MK8K			8



**Miniature DIN Chassis Socket (female)**

with Cable AWG26 100mm

Order No	Poles	Material
SGA.MB3KS	3	ABS
SGA.MB4KS	4	
SGA.MB5KS	5	
SGA.MB6KS	6	
SGA.MB8KS	8	

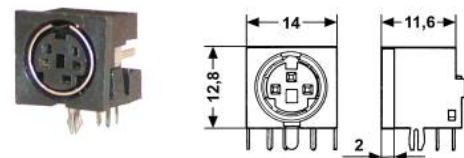


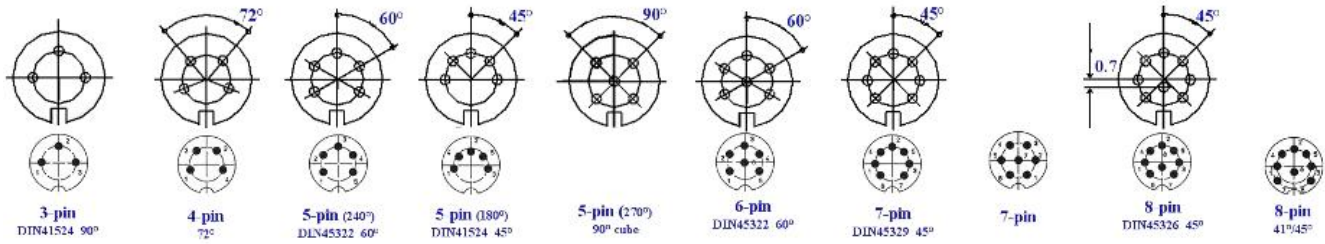
Order No	Poles	
SGA.MB4S	4	(S-VHS)
SGA.MB6S	6	(IBM PS/2)



**Mini-DIN Chassis Socket (female)**

Order No	Poles	
SGA.MB3PS	3	
SGA.MB4PS	4	(S-VHS)
SGA.MB5PS	5	
SGA.MB6PS	6	(IBM PS/2)
SGA.MB7PS	7	
SGA.MB8PS	8	





### DIN Cable Connector (Male)

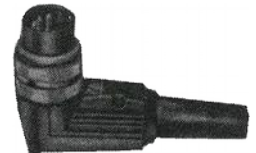
Order No	Poles	Configuration	Angle	DIN	Version
SGA.S3	3	90°	180°	41524	Plastic straight
SGA.SM3					Metal straight
SGA.SWM3					Metal angled
SGA.SM4	4	72°	216°	41524	Metal straight
SGA.SW4					Plastic angled
SGA.SWM4					Metal angled
SGA.S5	5	60°	240°	45322	Plastic straight
SGA.SM5					Metal straight
SGA.SW5					Plastic angled
SGA.SWM5					Metal angled
SGA.SM5S	5S	45°	180°	41524	Metal straight
SGA.SW5S					Plastic angled
SGA.S6	6	60°	240°	45322	Plastic straight
SGA.SM6					Metal straight
SGA.SWM6					Metal angled
SGA.SM7	7	45°	270°	45329	Metal straight
SGA.S8	8	45°	270°	45326	Plastic straight
SGA.SM8					Plastic straight
SGA.SW8G	8	41°/45°	262°	45326	Plastic angled



SGA.Sx



SGA.SMx



SGA.SWx



SGA.SWMx

Plugs plastic  
Plugs metal



### DIN Cable Connector (Female)

Order No	Poles	Configuration	Angle	DIN	Version
SGA.K3	3	90°	180°	41524	Plastic straight
SGA.KM3					Metal straight
SGA.K4	4	72°	216°	41524	Plastic straight
SGA.KM4					Metal straight
SGA.K5	5	60°	240°	45322	Plastic straight
SGA.KM5					Metal straight
SGA.KM5S	5S	45°	180°	41524	Metal straight
SGA.K6	6	60°	240°	45322	Plastic straight
SGA.KM6					Metal straight
SGA.K7	7	45°	270°	45329	Plastic straight
SGA.KM7					Metal straight
SGA.KM8	8	45°	270°	45326	Metal straight
SGA.K8G	8	41°/45°	262°	45326	Plastic straight



SGA.Kx



SGA.KMx

Sockets plastic  
Sockets metal





### DIN Panel-Mount Plug (Male)

Order No	Poles	Configuration	Angle	DIN
SGA.E3	3	90°	180°	41524
SGA.E4	4	72°	216°	
SGA.E5	5	60°	240°	45322
SGA.E5S	5S	45°	180°	41524
SGA.E6	6	60°	240°	45322
SGA.E7	7	45°	270°	45329
SGA.E8G	8	41°/45°	262°	



SGA.Ex



SGA.Bx

### DIN Chassis Jacks (Female)

SGA.Bx: shielded DIN panel sockets with solder terminals

SGA.BSx: unshielded DIN panel jacks in insulated version with solder terminals

SGA.BPx: unshielded DIN panel jacks in insulated PCB version

Order No	Poles	Configuration	Angle	DIN	Version
SGA.B3	3	90°	180°	41524	
SGA.BS3					Snap-In
SGA.BP3					PCB
SGA.B4	4	72°	216°		
SGA.B5	5	60°	240°	45322	
SGA.B5S	5S	45°	180°	41524	
SGA.BS5S					Snap-In
SGA.BP5S					PCB
SGA.B6	6	60°	240°	45322	
SGA.B7	7	45°	270°	45329	
SGA.B8G	8	41°/45°	262°		



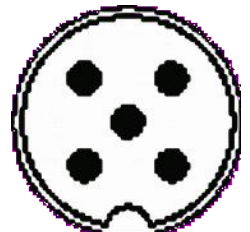
SGA.BPx



SGA.BSx

### DIN Speaker Connector DIN 45327

Order No	Poles	Configuration	DIN	Version
SGD.B	5	90°	45327	Chassis connector (female) shielded
SGD.BS				Chassis connector (female) Snap-In
SGD.K				Cable connector (female) shielded
SGD.S				Cable connector (male) shielded
SGD.SF				Adapter (male/female)



SGD.B



SGD.S

Linker Kanal  
Zuleitung heiss



Rechter Kanal  
Zuleitung heiss

Rechter Kanal  
Rückleitung kalt

Linker Kanal  
Rückleitung kalt

Buchse  
Ansicht Lötseite

SGD.K



SGD.BS

- 1 = not used (often not available in the plug)
- 2 = return left channel white
- 3 = return right channel brown
- 4 = forward left channel yellow
- 5 = forward right channel green

**IP40**

**DIN Plug (male) with threaded-joint**



Order No	Poles	Configuration	Angle	DIN	Rated Voltage	Test Voltage/60s	Wire section	Version
SGB.S3	3	90°	180°	41524	250VAC	2kVeff	≤ 75mm <sup>2</sup>	straight
SGB.SW3								angled 90°
SGB.S4	4	72°	216°		250VAC	2kVeff	≤ 75mm <sup>2</sup>	straight
SGB.SW4								angled 90°
SGB.S5	5	60°	240°	45322	250VAC	2kVeff	≤ 75mm <sup>2</sup>	straight
SGB.SW5								angled 90°
SGB.S5S	5 S	45°	180°	41524	60VAC	1kVeff	≤ 34mm <sup>2</sup>	straight
SGB.SW5S								angled 90°
SGB.S6	6	60°	240°	45322	250VAC	2kVeff	≤ 75mm <sup>2</sup>	straight
SGB.SW6								angled 90°
SGB.S7X	7	60°	360°		250VAC	2kVeff	≤ 75mm <sup>2</sup>	straight
SGB.SW7X								angled 90°
SGB.S8G	8	41°/45°	262°		60VAC	1kVeff	≤ 34mm <sup>2</sup>	straight
SGB.SW8G								angled 90°

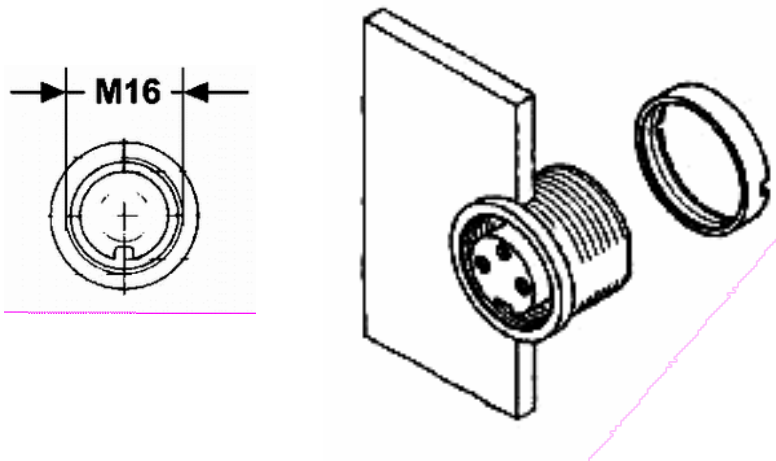


**DIN Socket with threaded joint (female)**

Order No	Poles	Configuration	Angle	DIN	Rated Voltage	Test Voltage/60s	Wire section	Version
SGB.K3	3	90°	180°	41524	250VAC	2kVeff	≤ 75mm <sup>2</sup>	straight
SGB.KW3								angled 90°
SGB.K4	4	72°	216°		250VAC	2kVeff	≤ 75mm <sup>2</sup>	straight
SGB.KW4								angled 90°
SGB.K5	5	60°	240°	45322	250VAC	2kVeff	≤ 75mm <sup>2</sup>	straight
SGB.KW5								angled 90°
SGB.K5S	5 S	45°	180°	41524	60VAC	1kVeff	≤ 34mm <sup>2</sup>	straight
SGB.KW5S								angled 90°
SGB.K6	6	60°	240°	45322	250VAC	2kVeff	≤ 75mm <sup>2</sup>	straight
SGB.KW6								angled 90°
SGB.K7X	7	60°	360°		250VAC	2kVeff	≤ 75mm <sup>2</sup>	straight
SGB.KW7X								angled 90°
SGB.K8G	8	41°/45°	262°		60VAC	1kVeff	≤ 34mm <sup>2</sup>	straight
SGB.KW8G								angled 90°

**Chassis plug with threaded joint (male)**

Order No	Poles	Configuration	Angle	DIN	Rated Voltage	Test Voltage/60s	Wire section
<a href="#">SGB.E3</a>	3	90°	180°	41524	250VAC	2kVeff	≤ 75mm <sup>2</sup>
<a href="#">SGB.E4</a>	4	72°	216°		250VAC	2kVeff	≤ 75mm <sup>2</sup>
<a href="#">SGB.E5</a>	5	60°	240°	45322	250VAC	2kVeff	≤ 75mm <sup>2</sup>
<a href="#">SGB.E5S</a>	5 S	45°	180°	41524	60VAC	1kVeff	≤ 75mm <sup>2</sup>
<a href="#">SGB.E6</a>	6	60°	240°	45322	250VAC	2kVeff	≤ 75mm <sup>2</sup>
<a href="#">SGB.E7X</a>	7	60°	360°		250VAC	2kVeff	≤ 75mm <sup>2</sup>
<a href="#">SGB.E8G</a>	8	41°/45°	262°		60VAC	1kVeff	≤ 75mm <sup>2</sup>



**Chassis socket with threaded joint (female)**

Order No	Poles	Configuration	Angle	DIN	Rated Voltage	Test voltage/60s	Wire section
<a href="#">SGB.B3</a>	3	90°	180°	41524	250VAC	2kVeff	≤ 75mm <sup>2</sup>
<a href="#">SGB.B4</a>	4	72°	216°		250VAC	2kVeff	≤ 75mm <sup>2</sup>
<a href="#">SGB.B5</a>	5	60°	240°	45322	250VAC	2kVeff	≤ 75mm <sup>2</sup>
<a href="#">SGB.B5S</a>	5 S	45°	180°	41524	60VAC	1kVeff	≤ 75mm <sup>2</sup>
<a href="#">SGB.B6</a>	6	60°	240°	45322	250VAC	2kVeff	≤ 75mm <sup>2</sup>
<a href="#">SGB.B7X</a>	7	60°	360°		250VAC	2kVeff	≤ 75mm <sup>2</sup>
<a href="#">SGB.B8G</a>	8	41°/45°	262°		60VAC	1kVeff	≤ 75mm <sup>2</sup>



**Wrench for chassis connectors**

Order No
<a href="#">SGB.MS</a>



## DIN Circular Connectors with Bayonet Lock

### Plug Straight (male) Shielded Solder Terminals

Order No	Poles	Configuration	Angle	DIN
<a href="#">SGB.RS3</a>	3	90°	180°	41524
<a href="#">SGB.RS4</a>	4	72°	216°	
<a href="#">SGB.RS5</a>	5	60°	240°	45322
<a href="#">SGB.RS5S</a>	5S	45°	180°	41524
<a href="#">SGB.RS7</a>	7	45°	270°	45329
<a href="#">SGB.RS8</a>	8	45°	270°	45326



### Socket Straight (female) Shielded Solder Terminals

Order No	Poles	Configuartion	Angle	DIN
<a href="#">SGB.RK3</a>	3	90°	180°	41524
<a href="#">SGB.RK4</a>	4	72°	216°	
<a href="#">SGB.RK5</a>	5	60°	240°	45322
<a href="#">SGB.RK5S</a>	5S	45°	180°	41524
<a href="#">SGB.RK7</a>	7	45°	270°	45329



### Chassis-Plug (female)

Order No	Poles	Configuration	Angle	DIN
<a href="#">SGB.RB3</a>	3	90°	180°	41524
<a href="#">SGB.RB4</a>	4	72°	216°	
<a href="#">SGB.RB5</a>	5	60°	240°	45322
<a href="#">SGB.RB5S</a>	5S	45°	180°	41524
<a href="#">SGB.RB7</a>	7	45°	270°	45329
<a href="#">SGB.RB8</a>	8	45°	270°	45326



### 2.5mm Phone Connectors (Audio)

Order No	Poles	Version	Gender	Make	Type
<a href="#">SGK.S22</a>	2p mono	Cable plug	Male	Lumberg	KLS 10
<a href="#">SGK.S23</a>	3p stereo			Lumberg	KLS 13
<a href="#">SGK.S24</a>	4p			Profitec	KP 5
<a href="#">SGK.S24M</a>	4p			Profitec	KP 7 M
<a href="#">SGK.S23W</a>	3p stereo	Angled plug		Profitec	KP 2 W
<a href="#">SGK.K22</a>	2p mono	Jack socket	Female	Lumberg	KLK 1
<a href="#">SGK.K23</a>	3p stereo				
<a href="#">SGK.B221</a>	Break contact	Jack chassis socket	Female	Lumberg	KLB 1
<a href="#">SGK.B230</a>	3p stereo			Lumberg	KLB 13
<a href="#">SGK.B24P</a>	4p			Profitec	TS 48



### 3.5mm Phone Connectors (Audio)



Order No	Poles	Version	Gender	Make	Type
<a href="#">SGK.S32M</a>	2p mono	Jack Plug	Male	Lumberg	KLS 22
<a href="#">SGK.S33</a>	3p stereo			Lumberg	KLS 40
<a href="#">SGK.S33M</a>	3p stereo			Lumberg	KLS 44
<a href="#">SGK.S34M</a>	4p stereo			Profitec	KP 6 M
<a href="#">SGK.S44</a>	4p stereo				
<a href="#">SGK.S32W</a>	2p mono	Angled Plug		Lumberg	WKLS 2
<a href="#">SGK.S33W</a>	3p stereo			Lumberg	WKLS 40
<a href="#">SGK.K32</a>	2p mono	Jack Socket	Female	Lumberg	KLK 2
<a href="#">SGK.K32M</a>	2p mono			Lumberg	KLK 22
<a href="#">SGK.K33</a>	3p stereo			Lumberg	KLK 4
<a href="#">SGK.K33M</a>	3p stereo			Lumberg	KLK 44
<a href="#">SGK.B330</a>	3p stereo	Chassis Socket		Lumberg	KLK 4
<a href="#">SGK.B321</a>	1x Break			Lumberg	KLB 2
<a href="#">SGK.B332P</a>	2x Break			Lumberg	KLBR 4
<a href="#">SGK.B34P</a>	4p stereo			Profitec	TS 47



### 6.35mm Phone Connectors (Audio)



Order No	Poles	Version	Gender	Make	Type
<a href="#">SFK.S2NN</a>	2p mono	Jack Plug	Male	Neutrik	NP2C
<a href="#">SGK.S62W</a>	2p mono			Lumberg	KLSM 3
<a href="#">SGK.S62M</a>	2p mono			Lumberg	KLSM 33
<a href="#">SFK.S2SN</a>	2p mono			Neutrik	NP2C-BAG
<a href="#">SGK.S63M</a>	3p stereo			Lumberg	KLS 33
<a href="#">SFK.S3NN</a>	3p stereo			Neutrik	NP3X
<a href="#">SFK.S3SN</a>	3p stereo			Neutrik	NP3C-BAG
<a href="#">SFK.S3SNG</a>	3p stereo			Neutrik	NP3X-B
<a href="#">SFK.SW2PN</a>	2p mono			Neutrik	NP2RX
<a href="#">SGK.S62W</a>	2p mono			Angled Plug	
<a href="#">SFK.SW3PN</a>	3p stereo	Neutrik	NP3RCS		
<a href="#">SGK.K62M</a>	2p mono	Jack Socket	Female	Lumberg	
<a href="#">SGK.K62</a>	2p mono			Lumberg	KLKM 3
<a href="#">SGK.K63</a>	3p stereo			Lumberg	KLK 3
<a href="#">SFK.K3SN</a>	3p stereo			Neutrik	NJ3FC6C-BAG
<a href="#">SGK.K3NN</a>	3p stereo			Neutrik	NJ3FC6C
<a href="#">SGK.6M BJ</a>	2p mono	Chassis Socket			
<a href="#">SGK.6M BU</a>	2p mono 1x OFF				
<a href="#">SGK.B622</a>	2p mono 2x OFF			Profitec	CJ 3054
<a href="#">SGK.B630</a>	3p stereo			Lumberg	KLB 3
<a href="#">SGK.B633</a>	3p stereo				
<a href="#">SGK.B6322</a>	3p stereo 2x UM			Lumberg	KLBPSS-3
<a href="#">SGK.B633U</a>	3p stereo 3x OFF			Profitec	CJ 3058
<a href="#">SGK.B620</a>	2p mono			Lumberg	KLMB 3
<a href="#">SFK.B6CS</a>	3p stereo			Neutrik	NCJ6FI-S
<a href="#">SFK.B3NS</a>	3p stereo			Neutrik	NJ3FP6C
<a href="#">SFK.B3SS</a>	3p stereo	Neutrik	NJ3FP6C-BA		





### Cinch/RCA Plug (Male)

Order No	Colour	Version	Make	Type	Cable Ø
SGO.S0	black	plastic	Lumberg	XSTO 1	4mm
SGO.SM G0		gold-plated	Profitec	CG 536	5.5mm
SGO.S2	red	plastic	Lumberg	XSTO 1	4mm
SGO.SM G2		gold-plated	Profitec	CG 536	5.5mm
SGO.SP2		metal	Lumberg	STO 11 VR	8mm
SGO.S4	yellow	plastic	Lumberg	XSTO 1	4mm
SGO.S9	w hite	plastic	Lumberg	XSTO 1	4mm
SGO.ST28SG	pair Black/red	gold-plated	Contrik/Neutrik	NF2CT/2	2 – 8mm
SGO.SA24NG		gold-plated	Contrik/Neutrik	CAP3342/2-4	2 – 4mm
SGO.SA26NG		gold-plated	Contrik/Neutrik	CAP3342/2-6	2 – 6mm
SGO.SP37SG		gold-plated	Contrik/Neutrik	NF2C-B/2	3 – 7.3mm



SGO.S0



SGO.SM G2



SGO.SP37SG



SGO.SS26NG



SGO.K9



SGO.KT28SG



SGO.KM G0

### Cinch/RCA Socket (Female)

Order No	Colour	Version	Make	Type	Cable Ø
SGO.K0	black	plastic	Lumberg	XKTO 1	4mm
SGO.KM G0		gold plated	Profitec	CG 536	5.5mm
SGO.K2	red	plastic	Lumberg	XKTO 1	4mm
SGO.KM G2		gold plated	Profitec	CG 536	5.5mm
SGO.K4	yellow	plastic	Lumberg	XKTO 1	4mm
SGO.K6	blue	plastic	Lumberg	XKTO 1	4mm
SGO.K9	w hite	plastic	Lumberg	XKTO 1	4mm
SGO.K9A	w hite		Lumberg	XKTO 1	5mm
SGO.KT28SG	pair black/red	gold plated	Contrik/Neutrik	NF2CTF/2	2 – 8mm
SGO.KA24NG		gold plated	Contrik/Neutrik	CCF5712/4T	2 – 4mm
SGO.KA26NG		gold plated	Contrik/Neutrik	CCF5712/6T	2 – 6mm

### Cinch/RCA Chassis Connector (Female)

Order No	Colour	Version	Make	Type
SGO.BM G2	red	gold plated solder	Lumberg	B-126 G/R
SGO.BPW2		horizontal, print	Profitec	CP 560
SGO.BPWG2		horizontal, print, gold plated	Profitec	CPG 560
SGO.BM 2		front mounting solder	Lumberg	BTO 1
SGO.NF2D-2	black	D-series nickel, solder	Contrik/Neutrik	NF2D-2
SGO.BPW0		horizontal, print	Profitec	CP 560
SGO.BM 0		front mounting solder	Lumberg	BTO 1
SGO.BPWG0		horizontal, print, gold plated	Profitec	CPG 560
SGO.BP		vertical, print	Lumberg	BTOR 1
SGO.BS		angled		
SGO.NF2D-0		D-series nickel, solder	Contrik/Neutrik	NF2D-0
SGO.BM 4		front mounting solder	Lumberg	BTO 1
SGO.NF2D-4	yellow	D-series nickel, solder	Contrik/Neutrik	NF2D-4
SGO.BM 9	w hite	front mounting solder	Lumberg	BTO 1
SGO.DBA20	double	gold plated solder	Contrik/Neutrik	CHS5703/2/DBA
SGO.BB		plastic, solder		
SGO.B20G	pair black/red	gold plated solder	Contrik/Neutrik	CHS5725/2G
SGO.BA80G		gold plated solder		



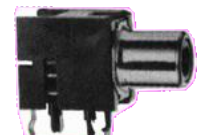
SGO.BM4



SGO.BPW2



SGO.BP



SGO.BS



SGO.BB



SGO.NF2D-4



SGO.DBA



SGO.B20G



SGO.BA80G

**Loudspeaker Connectors**



Order No	Version	Gender	Make	Type	Colour
<a href="#">SGE.SRS.8</a>	Plug round screw able	Male	Lumberg	LSSN 2	grey
<a href="#">SGE.SRS.0</a>	Plug round screw able				black
<a href="#">SGE.SO</a>	Plug oval solder				black
<a href="#">SGE.SR8</a>	Plug round solder		Lumberg	LSN 2	grey
<a href="#">SGE.SR0</a>	Plug round solder		Lumberg	LSN 2	black
<a href="#">SGE.SW</a>	Angled plug solder				grey
<a href="#">SGE.KR8</a>	Socket round solder	Female	Lumberg	LKN 2	grey
<a href="#">SGE.KR0</a>	Socket round solder			LKN 2	black
<a href="#">SGE.KRS.8</a>	Socket round screw able		Lumberg	LKSN 2	grey
<a href="#">SGE.KRS</a>	Socket round screw able				black
<a href="#">SGE.KO</a>	Socket oval solder				black
<a href="#">SGE.B</a>	Chassis socket w ithout sw itch solder		Lumberg	L 2	
<a href="#">SGE.BS</a>	Chassis socket w ithout sw itch solder		Lumberg	LR 21	
<a href="#">SGE.BSU</a>	Chassis socket w ith sw itch solder	Lumberg	LR 410		



[SGE.SO](#)



[SGE.KO](#)

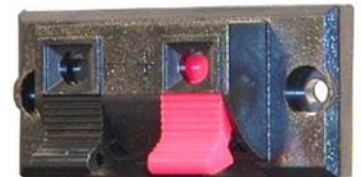


[SGE.KRS](#)

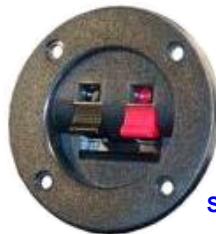
**Loudspeaker Cable Push Terminal Board Panel**



Order No	Version	Poles	Make	Type
<a href="#">SGE.X2</a>	Spring-loaded, for screw ing	2		
<a href="#">SGE.XR2</a>	Round, spring-loaded, for screw ing	2	Monacor	ST-930
<a href="#">SGE.X4</a>	Spring-loaded, 4p, basic unit, screw ing on	4	Marke	PT-932



[SGE.X2](#)



[SGE.XR2](#)



[SGE.X4](#)

**Microphone Connectors**



Order No	Version	Gender	Poles	Make	Type
<a href="#">SGC.S4</a>	Plug (male) metal shielded	Male	4	Profitec	NC 524
<a href="#">SGC.S8</a>	Plug (male) metal shielded		8	Profitec	NC 528
<a href="#">SGC.E4</a>	Chassis socket shielded		4		
<a href="#">SGC.E8</a>	Chassis socket shielded		8		
<a href="#">SGC.K4</a>	Socket female shielded	Female	4		
<a href="#">SGC.K8</a>	Socket female shielded		8		



[SGC.S8](#)



[SGC.E4](#)



[SGC.K4](#)