

Plastic Enclosures

Prices see shop.griederbauteile.ch

Low-Cost ABS-Enclosures	Page 2					
Enclosures with Lids	Page 3 + 4					
KEMO Enclosures with Lids and/or Front Panels	Page 4 + 5					
Enclosures with Front Panels	Page 6 + 7					
Desk Top Enclosures	Page 7 + 8					
Plug Enclosures	Page 8					
Enclosures with Ventilation Slots	Page 9 + 10					
Enclosures without Screw Mounting	Page 10					
Enclosures with Mounting Lugs	Page 10					
Enclosures with Battery Compartment + Miscellaneous Enclosures	Page 11 + 12					
Display Enclosures	Page 13					
Computer Module Enclosures	Page 13					
Code Lock Enclosures	Page 13					
Light Organ Enclosures	Page 13					
Metall Enclosures	Page 14-26					
Fittings for Enclosures	Page 27-29					

Low Cost ABS Enclosure Black

- With internal guide-slots for PCBs
- Enclosure made from 1.5mm black ABS with rounded edges
- Front panel mounted with 4 screws



Order No	Length	Width	Height	Colour
NEX.1	72mm	50mm	28mm	black

Low Cost ABS Enclosure Black

- ABS box with rough surface and rounded edges, black
- 2-part enclosure with 4 self-cutting screws.



Order No	Length	Width	Height	Colour
NEX.2123	72mm	50mm	28mm	black

Low Cost ABS Enclosure Black

- Plastic box made from (approx. 1,8mm) ABS-plastic, black
- Bottom plate of the box has rail moulded housing for PCB installation
- inclusive 4 screws.



Order No	Length	Width	Height	Colour
NEX.113	135mm	75mm	49mm	black
NEX.123	160mm	95mm	62mm	black

Low Cost Enclosure Grey

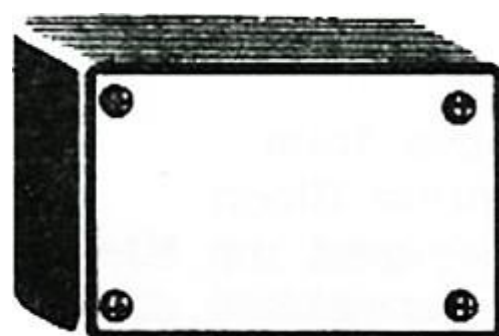
- With internal guide-slots for PCBs
- Enclosure made from 1.5mm black ABS with rounded edges
- Front panel mounted with 4 screws



Order No	Length	Width	Height	Colour
NEX.28	112mm	57mm	22mm	grey

ABS Enclosure with Aluminum Panel

- With internal guide-slots for PCBs
- Enclosure made from 2mm black ABS with rounded edges
- Front panel made from 1mm aluminium
- Front panel mounted with 4 screws

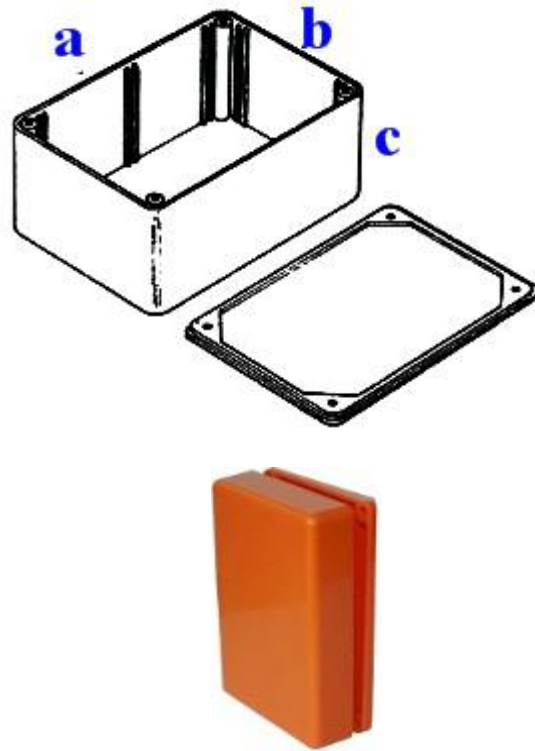


Order No	Length	Width	Height	Colour
NAK.1	83mm	54mm	29mm	black/Alu
NAK.2	102mm	54mm	42mm	
NAK.3	128mm	67mm	40mm	
NAK.4	157mm	95mm	50mm	
NAK.5	195mm	110mm	60mm	

ABS-Enclosure

- Without internal guide-slots for PCBs
- Enclosure made from 2mm black ABS w ith rounded edges
- Lid mounted with 4 screw s

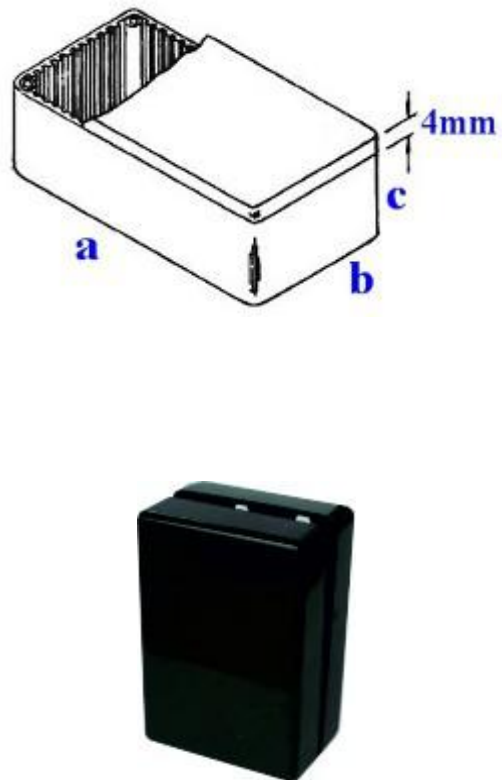
Order No	a	b	c	Colour
NES.10	72mm	50mm	19mm	black
NES.12				red
NES.13				orange
NES.16				blue
NES.18				grey
NES.19				w hite
NES.H10	72mm	50mm	26mm	black
NES.H13				orange
NES.H16				blue
NES.H18				grey
NES.H19	w hite			
NES.50	106mm	73mm	45mm	black
NES.58				grey
NES.60	150mm	75mm	47mm	black
NES.63				orange
NES.66				blue
NES.68				grey
NES.70	184mm	124mm	50mm	black
NES.73				orange
NES.76				blue
NES.78				grey



ABS-Enclosure

- ABS-enclosure w ith rounded edges
- With internal guide-slots for PCBs
- Lid mounted w ith 4 or 6 screw s

Order No	a	b	c	Colour
NER.20	100mm	50mm	25mm	black
NER.23				orange
NER.26				blue
NER.28				grey
NER.29	w hite			
NER.30	112mm	62mm	31mm	black
NER.33				orange
NER.36				blue
NER.38				grey
NER.39	w hite			
NER.40	120mm	65mm	40mm	black
NER.46				blue
NER.48				grey
NER.49				w hite
NER.50	150mm	80mm	50mm	black
NER.53				orange
NER.56				blue
NER.58				grey
NER.59	w hite			
NER.60	190mm	110mm	60mm	black
NER.63				orange
NER.66				blue
NER.68				grey
NER.69				w hite



Enclosure Teko-Series Coffe TP

- Simple enclosures in ABS (UL 94 HB)
- Smooth round corner design
- Ideal for small electronic devices
- Supplied as a base, aluminium top panel and transparent top cover
- Multiple PCB guides for high density
- Easy assembly by four self-tapping screw s



Order No	Length	Width	Height	Colour
NTP.1	100mm	55mm	29mm	black/Alu
NTP.2	125mm	70mm	39mm	
NTP.3	160mm	95mm	49mm	
NTP.4	215mm	130mm	69	

Plastic Enclosure Teko Series P

- Practical and economic enclosure in ABS (UL 94 HB)
- Easy to machine case design is ideal for installing displays, and sw itches
- Assembly by self-tapping screw s
- PCB guides in the case walls
- NPA.x are w ith aluminium top panel and NPP.x are w ith polystyrene top panel



Order No	Length	Width	Height	Colour	Make
NPA.1	85mm	56mm	35.5mm	petrol blueAlu	Teko
NPA.2	110mm	70mm	49mm		
NPA.3	160mm	96mm	61mm		
NPA.4	215mm	130mm	77mm		
NPP.1	85mm	56mm	35.5mm	petrol blue/light grey	
NPP.2	110mm	70mm	49mm		
NPP.3	160mm	96mm	61mm		
NPP.4	215mm	130mm	77mm		

KEMO Enclosures with Lid or Front Panel

Kemo Enclosures with Lid or Front Panel

Material thickness 1.8mm. Delivery w ith 4 fastening screw s to secure the lid.

Order No	Length	Width	Height	Colour	Make	Description
BKM.G025N	72mm	50mm	22mm	black	Kemo	
BKM.G026	72mm	50mm	28mm	black		
BKM.G020	72mm	50mm	28mm	black		Enclosure w ith piezo loudspeaker grill
BKM.G028N	72mm	50mm	42mm	black		
BKM.G029	72mm	50mm	63mm	black		
BKM.G110	90mm	50mm	17mm	grey		Enclosure w ith removable front panel
BKM.G111	90mm	50mm	25mm	grey		Enclosure w ith removable front panel
BKM.G112	90mm	50mm	33mm	grey		Enclosure w ith removable front panel
BKM.G113	120mm	60mm	30mm	grey		Enclosure w ith removable front panel
BKM.G114	120mm	60mm	40mm	grey		Enclosure w ith removable front panel
BKM.G117	120mm	60mm	50mm	grey		Enclosure w ith removable front panel
BKM.G080	120mm	70mm	20mm	black		
BKM.G084	120mm	70mm	20mm	black		Enclosure for w all mounting
BKM.G081N	120mm	70mm	35mm	black		
BKM.G085	120mm	70mm	35mm	black		Enclosure for w all mounting
BKM.G082	120mm	70mm	50mm	black		
BKM.G086	120mm	70mm	50mm	black		Enclosure for w all mounting
BKM.G083	120mm	70mm	65mm	black		
BKM.G087	120mm	70mm	65mm	black		Enclosure for w all mounting
BKM.G107	150mm	80mm	30mm	grey		Enclosure w ith removable front panel
BKM.G105	150mm	80mm	58mm	grey		Enclosure w ith removable front panel
BKM.G108	210mm	160mm	66mm	grey		
BKM.G109	260mm	195mm	90mm	grey		Enclosure w ith loudspeaker grill



[Table of all our Enclosures \(sorted by size\)](#)

Subject to alterations and errors. Pictures are a guide only.

Enclosure Teko-Series Coffe

ABS enclosures with rounded corners. Glossy surface finish. The base walls have integral PCB guides. Closing by four screws.

Order No	Length	Width	Height	Colour
NTK.C1	100mm	55mm	29mm	black
NTK.C2	125mm	70mm	39mm	
NTK.C3	160mm	95mm	49mm	
NTK.C4	215mm	130mm	69mm	



Enclosure Teko-Series CP

ABS enclosures with square corners and glossy surface finish. The base walls have integral PCB guides. "CP" series have two-tone colour scheme, the cover is always in light grey colour. Closing by four screws.

Order No	Length	Width	Height	Colour
NTK.CP30	160mm	96mm	66.9mm	grey/light grey
NTK.CP40	215mm	130mm	82.9mm	



Enclosure Teko-Series 15 Ermetica Nera

ABS enclosures with a plastic cover and an aluminium panel. Glossy surface finish. The cover has a recessed area to hold an 0.5mm anodized aluminium panel. The base walls have integral PCB guides. Closing by four screws.

Order No	Length	Width	Height	Colour
NTK.151P	85mm	56mm	36.6mm	black/Alu
NTK.152P	110mm	70mm	48.9mm	
NTK.153P	160mm	96mm	63.2mm	
NTK.154P	215mm	130mm	79.4mm	



Enclosure Teko-Series Enclos

ABS enclosures with a recessed area to allow a 0.5 mm anodised aluminium panel. Base and cover have integral PCB mounting studs. Matt surface finish. Closing by four screws.

Order No	Length	Width	Height	Colour
NTK.2222	85mm	72.5mm	36mm	black/Alu



ABS Enclosure Teko Series CAB

An ABS enclosure with two 1 mm aluminium panels. Each half-shell has integral PCB guides and mounting studs. Matt surface finish. Closing by only two screws. Available also front and rear panels manufactured from ABS (.13).

Order No	Length	Width	Height	Colour	Make
NAB.011	134mm	129mm	47mm	black/Alu	Teko
NAB.012			54mm		
NAB.022			61mm		
NAB.222	173mm	154mm	47mm		
NAB.223			54mm		
NAB.233			61mm		



ABS Enclosure Teko Series Designer

An ABS enclosure with two 1 mm aluminium panels. Each half-shell has mounting studs. Matt surface finish. Closing by only two screws.

Order No	Length	Width	Height	Colour	Make
NAB.10002	145mm	85mm	49mm	black/Alu	Teko
NAB.10003			61mm		



ABS Enclosure Teko Series Snap Designer

ABS enclosures with two 1 mm aluminium panels. Each base and cover have integral PCB guides (Eurocard 100 x 160 mm) inside. Matt surface finish. Snap-together closing, no screws required.

Order No	Length	Width	Height	Colour	Make
NAB.10004	199.5mm	110mm	46.5mm	black/Alu	Teko
NAB.10005			56.5mm		



Enclosure Teko-Series Strumentalia

Cases with the front and rear panels moulded in ABS. The base and the cover have integral PCB guides and mounting studs. The models "761" and "762" come complete with easy-to-grip, multi-tilt support handles. Matt surface finish. Closing by four screws with plastic feet.

Order No	Length	Width	Height	Colour
NTK.765	270mm	220mm	63mm	black
NTK.766	270mm	220mm	76mm	
NTK.767	270mm	220mm	89mm	

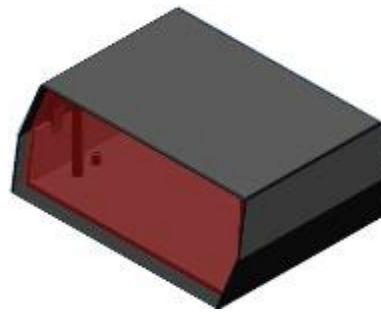


NTK.761	268mm	216mm	95mm	black
NTK.762	268mm	216mm	109mm	



Enclosure Teko-Series DIGITAL

A polystyrene enclosure with a red polystyrene 20° inclined panel. Each half-shell has integral PCB mounting studs. The models NTD.130 and NTD.140 have in the rear side a cutout for cabling. Matt surface finish. Closing by four screws.



Order No	Length	Width	Height	Colour
NTD.120	119.5mm	89mm	50mm	black
NTD.130	135mm	150mm	54mm	
NTD.140	181mm	155mm	60mm	

Hand Held and Desk Top Enclosures

Desk Top Enclosure Teko Series Tenclos Pulpit

ABS enclosures with inclined cover. Matt surfaces finish. The base has integral PCB mounting studs. Closing by four screws.



Order No	Length	Width	Height	Colour
NTK.590	145mm	85mm	49/25mm	black
NTK.690	145mm	85mm	55/31mm	
NTK.790	145mm	85mm	73/49mm	

Desk Top Enclosure Teko Series Tenclos

ABS enclosure with a recessed area to allow an 0.5 mm anodised aluminium panel. Base and cover have integral PCB mounting studs. Matt surface finish. Closing by four screws.



Order No	Length	Width	Height	Colour
NTK.550	145mm	85mm	25mm	black
NTK.560			32mm	
NTK.660			37mm	
NTK.750			49mm	
NTK.760			55mm	
NTK.770			73mm	

Sloping Desk Top Enclosure Teko-Series Pult-10

ABS enclosures with either a 10° or 12° incline for easy operation and readability, square corners. The base walls have integral PCB guides. Two aluminium panels. Closing by four screws.



Order No	Length	Width	Height	Colour
NTK.101	85mm	56mm	35/21mm	black
NTK.103	160mm	96mm	59/32mm	
NTK.104	215mm	130mm	75/40mm	

Sloping Desk Top Enclosure Teko-Series Pult-36

ABS enclosure with a 15° inclined 1mm aluminium panel. The base walls have integral PCB guides and mounting studs. Glossy surface finish. Closing by four or six screws.



Order No	Length	Width	Height	Colour
NTK.362	161mm	97mm	60/39mm	grey
NTK.363	216mm	130mm	76.5/46mm	
NTK.364	211mm	170mm	87/47mm	

Table of all our Enclosures (sorted by size)

Subject to alterations and errors. Pictures are a guide only.

ABS Enclosures Teko Series AUS

ABS enclosures with a vented cover and base for aeration. Front and rear 1 mm aluminium panels. Each half-shell has integral PCB guides and mounting studs. Matt surface finish. Closing by eight screws.

Order No	Length	Width	Height	Colour	Make
NAU.S11	198mm	178mm	36mm	black	Teko
NAU.S11.3				orange	
NAU.S11.8				grey	
NAU.S12	198mm	178mm	54mm	black	
NAU.S12.3				orange	
NAU.S22	198mm	178mm	72mm	black	
NAU.S23	198mm	178mm	90mm	black	
NAU.S23.3				orange	
NAU.S33	198mm	178mm	108mm	black	
NAU.S33.3				orange	



ABS Enclosure Teko Series KL-AUS HANDLE

ABS enclosures with a handle that can be locked in any of eight positions and used as a stand. Vented cover and base for aeration. Front and rear 1 mm aluminium panels. Each half-shell has integral PCB guides and mounting studs. Matt surface finish. Closing by eight screws.

Order No	Length	Width	Height	Colour	Make
NAU.S41	198mm	178mm	54mm	black	Teko
NAU.S44			72mm		
NAU.S45			90mm		
NAU.S55			108mm		



ABS Enclosure Teko Series KL

ABS enclosures with a vented cover and base for aeration. Front and rear 1 mm aluminium panels. Each half-shell has integral PCB guides and mounting studs. Matt surface finish. Closing by eight screws.

Order No	Length	Width	Height	Colour	Make
NKL.11	178mm	128mm	36mm	black	Teko
NKL.12			54mm		
NKL.22			72mm		
NKL.23			90mm		
NKL.33			108mm		



ABS Enclosure Teko Series KL

ABS enclosure with a handle that can be locked in any of eight positions and used as a stand. Vented cover and base for aeration. Front and rear 1 mm aluminium panels. Each half-shell has integral PCB guides and mounting studs. Matt surface finish. Closing by eight screws.

Order No	Length	Width	Height	Colour	Make
NKL.41	178mm	128mm	54mm	black	Teko
NKL.44			72mm		
NKL.45			90mm		
NKL.55			108mm		



Enclosure with Ventilation Slots

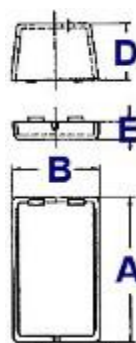
Plastic half shell enclosure with ventilation slots and removable front panels.

Order No	Length	Width	Height	Colour	Make
BKM.G010	95mm	135mm	45mm	black	Kemo



ABS-Enclosure with Ventilation Slots

- made from 2mm black ABS
- with rounded edges and ventilation gaps
- the bottom part is attached with 4 screws
- NAL.P1 + NAL.P2 with cable gland knockout
- NAL.P1: Bottom part is snap-in and attached with one screw
- NAL.P2 + NAL.P3: Bottom part attached with four screws



Order No	A	B	D	E	Colour
NAL.P1	74mm	43mm	28mm	8.5mm	black
NAL.P2	111mm	68mm	40mm	13mm	
NAL.P3	95mm	71mm	32mm	10mm	

Screw-less Mounting Enclosure

Enclosure Teko-Serie WALL

ABS enclosures with two snap together half-shells (one base/one cover) especially suited to wall mounting, available in either a solid (black) or a two-tone colour configuration (the base is always black). The base has integral PCB mounting studs and guides. No screws are required.



Order No	Length	Width	Height	Colour
NTW.2	122.5mm	69.5mm	42mm	orange-red/black
NTW.3	154.5mm	85mm	57.5mm	
NTW.4	170mm	99.5mm	72.5mm	
NTW.48	170mm	99.5mm	72.5mm	grey

Enclosures with Mounting Brackets

Enclosure with Mounting Lugs

This enclosure has a lugged lid for securely mounting (with two screws). The lid itself is fastened onto the case by four screws. The enclosure has four internal PCB stand off's.



Order No	Length	Width	Height	Colour	Make
BKM.G024	72mm	50mm	41mm	black	Kemo
BKM.G022	72mm	50mm	63mm	black	
BKM.G023N	74mm	51mm	28mm	black	

Module Enclosure with Mounting Lugs

Order No	Length	Width	Height	Colour	Description	Make
BKM.G061	30mm	25mm	15mm	black	Enclosure with base plate and mounting lugs. With internal guide slots for PCBs.	Kemo
BKM.G059	40mm	40mm	12mm	black	Enclosure to install small PCBs.	
BKM.G004	60mm	45mm	20mm	black	Enclosure without base plate with mounting lugs.	
BKM.G060	70mm	60mm	23mm	black	Enclosure without base plate with mounting lugs.	
BKM.G070	120mm	50mm	24mm	black	Enclosure with base plate and mounting lugs. With internal guide slots for PCBs.	



Corrugated Module Enclosure with Mounting Lugs

Cast enclosure, without base plate, with mounting lugs.

Order No	Length	Width	Height	Colour	Make
BKM.G007	67mm	65mm	37mm	black	Kemo
BKM.G006	70mm	36mm	23mm	black	

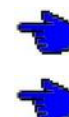


Table of all our Enclosures (sorted by size)

Subject to alterations and errors. Pictures are a guide only.

Plastic Enclosure with Battery Compartment

- With internal guide-slots for PCBs
- with battery compartment for one 9V block battery (6F22)

Order No	Length	Width	Height	Colour	Make
BKM.G03B	104mm	62mm	30mm	black	Kemo
NOW.7112	110mm	68mm	33mm	light grey	
NOW.7122	110mm	68mm	45mm		
NOW.9115	155mm	92mm	33mm		
NOW.9125	155mm	92mm	45mm		



Desk Enclosure with Battery Compartment

- Includes a battery compartment for a 9V cell
- Modern ergonomic enclosure in ABS (UL 94 HB)
- Sloping display area with 30° incline
- Ideal for hand-held and desktop devices
- Easy assembly by four self-tapping screws
- PCB mounting pillars in the base
- Top with two recessed areas, two aluminium panels which fit into the top recesses and the base moulding

Best.Nr.	Länge	Breite	Höhe	Farbe
NTK.680	145mm	85mm	55mm	schwarz



Hand Held Enclosure Teko Tenclos B

ABS enclosures with a recessed area to allow an 0.5 mm anodised aluminium panel. Base and cover have integral PCB mounting studs. The enclosures have a 9V battery compartment with snap-on cover. Matt surface finish. Closing by four screws.

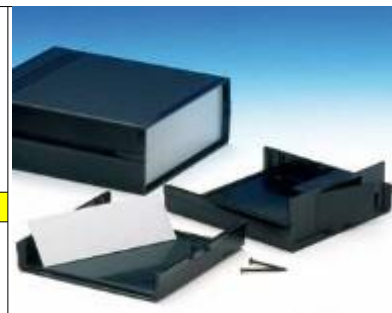
Order No	Length	Width	Height	Colour
NTE.880	145mm	85mm	37mm	black
NTE.980	145mm	85mm	55mm	



**ABS Enclosure with Battery Compartment
Teko Series CAB B**

An ABS enclosure with a 9V battery compartment in the rear panel. Each half-shell has integral PCB guides and mounting studs. Matt surface finish. Closing by only two screws.

Order No	Length	Width	Height	Colour	Make
NAB.011B	134mm	129mm	47mm	black/Alu	Teko
NAB.223B	173mm	154mm	54mm		
NAB.233B			61mm		



Enclosure with Battery Compartment

Order No	A	B	D	Colour	Make	Description
BKM.G02B	123mm	72mm	39mm	schwarz	Kemo	6V (Compartment for 4 x Mignon)
BKM.G01B	102mm	61mm	26mm	schwarz		For 9v block battery



**ABS Enclosure with Battery Compartment
Teko Series Designer B**

ABS enclosure with rounded corners. 9V battery compartment with a snap sliding lid. Matt surface finish. Closing by only one screw.



Order No	Length	Width	Height	Colour	Make
NAB.10009B	134mm	129mm	47mm	black/Alu	Teko
NAB.10002B	145mm	85mm	49mm		
NAB.10003B			61mm		

Miscellaneous Enclosures

Shell Housing

ABS shell type enclosure, inclusive 4 screws.



Order No	Length	Width	Height	Colour	Make
NOW.1005	100mm	50mm	25mm	grey	

ABS Enclosure Water Tight



Order No	Length	Width	Height	Colour	Make
NKP.T205	52mm	50mm	35mm	grey	Bopla
NKP.T215	120mm	80mm	55mm		
NKP.T238	160mm	120mm	90mm		

Thermoplastic Enclosure for industrial Applications

A thermoplastic enclosure with a high protection class (IP65), extremely robust.



Order No	Length	Width	Height	Colour	Make
NKP.P03	94mm	94mm	57mm	grey	Rose Bopla
NKP.P05	110mm	110mm	90mm		
NKP.P08	180mm				

Display Enclosure

With holes for wall mounting. There is a black edge (approx 10mm) around the transparent front panel. This enclosure could be used for the installation of presentation, electronics with illumination (LEDs, neon lamps, etc.) or to insert a picture.



Order No	A	B	D	Colour	Make
BKM.G100	130mm	130mm	17mm		Kemo

Display Enclosure with Clear Lid

Order No	A	B	D	Colour	Description	Make
BKM.G021	72mm	50mm	40mm	black		Kemo
BKM.G088	120mm	70mm	15mm	black	for wall mounting	
BKM.G090	120mm	70mm	15mm	black		
BKM.G089	120mm	70mm	30mm	black	for wall mounting	
BKM.G091	120mm	70mm	30mm	black		



Miscellaneous Enclosures

Computer Module Enclosure

With 25-pin D-SUB connector male and 25-pin D-Sub connector female. For installation of adapters and appliances which are operated parallel to the computer.



Order No	A	B	D	Colour	Make
BKM.G123	130mm	80mm	50mm	light	Kemo

Code Lock Wall Enclosure

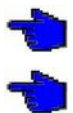
Stable case for wall mounting with holes to hold 12 key buttons for a code lock.



Order No	A	B	D	Colour	Make
BKM.G009	130mm	80mm	50mm	light	Kemo

Lighting Console Enclosure

To house a small light organ or some other equipment. Solid and stable construction.



Order No	Length	Width	Height	Colour	Make	Description
BKM.G200	284mm	160mm	76mm	black	Kemo	with solid front panel
BKM.G201	284mm	160mm	76mm	black		with clear front panel

Enclosure for Card Reader

This enclosure is used for a credit card reader for credit card sizes of approx 54 x 85mm. Inside the enclosure are guiding grooves for the credit card and to install the printed circuit board.



Order No	A	B	D	Colour	Make
BKM.G008	70mm	60mm	25mm	black	Kemo

Metal-Enclosures

Prices see shop.griederbauteile.ch

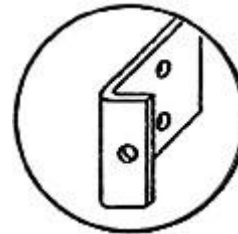
Low-Cost Aluminium Enclosures	Page 15					
Aluminium Enclosures	Page 15 - 17					
Steel Enclosures	Page 18 - 23					
Aluminium Profile Enclosures	Page 24 - 26					
Material DIY Enclosures	Page 27 - 28					
Aluminium Sheets	Page 28					
Enclosure Fittings → Handles	Page 28					
Rubber Feet	Page 29					

Retro Components are only available as long as stock lasts.

Shell Type Enclosure

Consisting of two 1mm aluminium shells with black epoxy coating, 1mm front- and back panels. The panels are made of raw aluminium and the enclosure has two inside profiles.

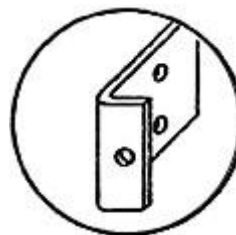
Order No	Length	Width	Height	Colour
NBJ.9002	75mm	75mm	25mm	black/alu
NBJ.9003		100mm		
NBJ.9004	100mm	50mm		
NBJ.9005		75mm		
NBJ.9006		100mm		
NBJ.9007		50mm		
NBJ.9010	150mm	200mm	50mm	
NBJ.9011		250mm		
NBJ.9012		300mm		
NBJ.9013		50mm		
NBJ.9014	150mm	100mm	75mm	
NBJ.9015		150mm		
NBJ.9016		200mm		
NBJ.9017		250mm		
NBJ.9018		300mm		



Shell Type Enclosure

Consisting of two 1mm aluminium shells with black epoxy coating, 2mm front- and back panels. The panels are made of raw aluminium and the enclosure has two inside profiles.

Order No	Length	Width	Height	Colour
NBJ.8001	180mm	150mm	60mm	black/alu
NBJ.8002		225mm		
NBJ.8003		300mm		
NBJ.8004	180mm	150mm	80mm	
NBJ.8005		225mm		
NBJ.8006		300mm		
NBJ.8007	180mm	150mm	100mm	
NBJ.8008		225mm		
NBJ.8009		300mm		



Aluminium Enclosure Teko Series BC + CH

- Simple folded boxes in aluminium
- Hooded top cover
- Easy to assemble with four screws
- Ideal for very low cost applications
- Colour: silver metalised base and black cover RAL 9006

Order No	Length	Width	Height	Colour
NCH.1	62mm	118mm	48mm	black/alu
NCH.2	124mm			
NCH.3	164mm			
NCH.4	224mm			
NBC.1	62mm	118mm	84mm	
NBC.2	123mm			
NBC.3	163mm			
NBC.4	223mm			



Aluminium Enclosure Teko AI Box

Aluminium enclosure with silver metalised base and cover. Simple and speedy to assemble, with four screws to put in place.

Order No	Length	Width	Height	Colour
NTA.1	37.5mm	72mm	28mm	silver
NTA.2	57.5mm			
NTA.3	102mm			
NTA.4	143mm			
NTB.1	37.5mm	72mm	43mm	
NTB.4	143mm			



Aluminium Enclosures Teko Series 33, 38, 42

- Simple folded box in aluminium
- Easy to assemble with four or eight screws
- Ideal for very low cost applications
- Colour: black RAL 9006 & metalised silver RAL 9006

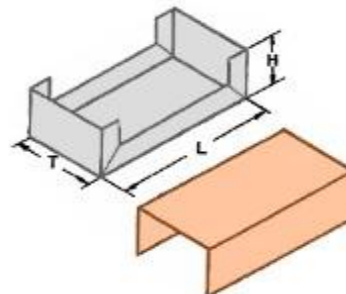
Order No	Length	Width	Height	Colour
NTK.331	53mm	100mm	63mm	silver/black
NTK.334	203mm			
NTK.335	237mm			
NTK.381	53mm	160mm	69.5mm	
NTK.382	103mm			
NTK.383	153mm			
NTK.384	203mm			
NTK.385	253mm			
NTK.386	303mm	160mm	100mm	
NTK.421	87mm			
NTK.423	187mm			
NTK.424	237mm			
NTK.425	287mm			
NTK.426	337mm			
NTK.427	387mm			



Shell Type Enclosures

Two shell aluminium enclosure, top part is red-orange and bottom part is light grey.

Order No	Length	Width	Height	Colour
NAA.454	250mm	75mm	45mm	Red-orange/grey
NAA.603	175mm	132mm	63mm	



Aluminium Enclosure Teko Series 35

- Chassis part 1.5mm silver metallised aluminium
- Cover part 1.5mm black coated aluminium
- Includes four screw s

Order No	Length	Width	Height	Colour
NTK.352	124mm	131mm	83/52mm	silver/black
NTK.354	223mm			



Standard Enclosures with Lids

Enclosure with Protection IP66

Standard aluminium enclosure w with protection IP66

Order No	Length	Width	Height	Colour
NJV.LBH1	50mm	45mm	30mm	light grey
NJV.LBH4	58mm	64mm	34mm	
NJV.LBH5	75mm	80mm	57mm	
NJV.LBH2	98mm	64mm	34mm	
NJV.LBH9	100mm	100mm	81mm	
NJV.LBH11	122mm	120mm	81mm	
NJV.LBH22	122mm	120mm	91mm	
NJV.LBH6	125mm	80mm	57mm	
NJV.LBH3	150mm	64mm	34mm	
NJV.LBH10	160mm	100mm	81mm	
NJV.LBH15	160mm	160mm	90mm	
NJV.LBH7	175mm	80mm	57mm	
NJV.LBH21	220mm	120mm	81mm	
NJV.LBH12	220mm	120mm	91mm	
NJV.LBH19	230mm	200mm	113mm	
NJV.LBH8	250mm	80mm	57mm	
NJV.LBH13	260mm	160mm	90mm	
NJV.LBH17	280mm	230mm	110mm	
NJV.LBH18	330mm	230mm	111mm	
NJV.LBH20	330mm	230mm	180mm	
NJV.LBH14	360mm	160mm	91mm	



Cast aluminium Enclosure

A range of diecast boxes in various sizes, manufactured in a robust aluminium alloy. These lightw eight enclosures provide excellent screening against EMI/RFI and are therefore ideal housing for electronic components and circuits.

Order No	Length	Width	Height	Colour
NAD.A	35mm	89mm	30mm	raw aluminium
NAD.B	64mm	115mm	30mm	
NAD.D	64mm	115mm	55mm	
NAD.C	89mm	115mm	55mm	
NAD.E	121mm	172mm	55mm	
NAD.F	121mm	172mm	106mm	
NAD.K	139.7mm	101.6mm	76mm	
NAD.G	146mm	222mm	55mm	
NAD.H	146mm	222mm	106mm	
NAD.L	165mm	127mm	76mm	



Sheet Steel Enclosure Häwa Series 2430

Without interior mounting provisions
 Delivery includes: Housing with screw ed cover
 Material: Sheet steel
 Protection class: IP 40
 Surface finish: Painted
 RAL 7032, texture finish

Order No	Length	Width	Height	Colour
NKF.1	125mm	165mm	75mm	light grey
NKF.2	155mm	205mm		
NKF.3	190mm	250mm		
NKF.4	225mm	305mm		



Sheet Steel Enclosure Häwa Series 2474

For accommodating transformers and measuring instruments or for metal protection of electronic or electrotechnical components. Housing base can be used as mounting plate (internally mounted swell). If the swell is mounted externally, dimension b is increased by 0.39".

Order No	Length	Width	Height	Colour
NIH.1	88mm	163mm	85mm	light grey
NIH.2	104mm	146mm		
NIH.3	146mm	212mm	120mm	
NIH.4	212mm	300mm	150mm	



Sheet Steel Enclosure Häwa Series 2471 + 2472

For accommodating transformers and measuring instruments or for metal protection of electronic or electrotechnical components. Ventilation slots in base and cover. The cover is secured with the enclosed nickel-plated screws.

Order No	Length	Width	Height	Colour
NIF.3	104mm	180mm	146mm	light grey
NIF.4		250mm		
NIF.6	146mm	300mm	212mm	
NIF.12	212mm	400mm	300mm	
NIC.1	146mm	180mm	104mm	
NIC.2		250mm		
NIC.3	212mm	300mm	146mm	
NIC.4	300mm	400mm	212mm	



Sheet Steel Enclosure Häwa Series 2482

For accommodating measuring instruments and control units, electronic and electrotechnical components.

NIP.1: With base plate, otherwise closed

NIP.2 + NIP.3: With base and front panels, slotted rear panel and base

Order No	Length	Width	Height	Colour
NIP.1	148mm	225mm	45/124mm	grey
NIP.2	200mm	300mm	70/170mm	
NIP.3	248mm	400mm	90/222mm	



Sheet Steel Enclosure Teko Series Triplate

- RF boxes with slide on top and base covers
- Mild steel with electrolytic tin-plating for easy soldering
- Removable horizontal divider
- Vertical dividers with two holes for wiring

Order No	Length	Width	Height	Colour
NTK.395	62mm	76mm	36mm	steel
NTK.396	102mm			
NTK.397	162mm			
NTK.398	222mm			
NTK.399	282mm			



Sheet Steel Enclosure Teko Series 37 + 39

- RF boxes including snap-on flanged top cover with contact fingers
- Mild steel with hot tin-plating for easy soldering
- Dividers with a hole and cutout for wiring

Order No	Length	Width	Height	Colour
NTK.371	54mm	50mm	26mm	steel
NTK.372	83mm			
NTK.373	106mm			
NTK.374	161mm			
NTK.392	83mm	68mm	28mm	steel
NTK.393	122mm			
NTK.394	162mm			



Sheet Steel Teko Series MINI

Hot tin-plated steel enclosures for High/Frequency electronic components assembly. Volume of casing is suitable for easy assembly of professional and High-Technology circuits.

Order No	Length	Width	Height	Colour
NTK.403	80mm	29mm	21mm	sheet
NTK.404	105mm			
NTK.405	130mm			
NTK.406	155mm			



Sheet Steel Enclosure

Electrolytic tin-plated steel enclosures for High/Frequency electronic components assembly with a cover that can be soldered on for hermetic sealing. Volume of casing is suitable for easy assembly of professional and High-Technology circuits.

Order No	Length	Width	Height	Colour
NTK.443	51mm	31.5mm	13mm	steel
NTK.444	63.5mm			
NTK.445	51mm	44mm	17.5mm	
NTK.446	63.5mm			
NTK.455	51mm	44mm	17.5mm	
NTK.456	63.5mm			



Steel Sheet Enclosure Häwa F-3

Steel sheet enclosure with textured paint light grey (RAL 7032). The chassis is zinc plated and the front panel is made from aluminium and painted flat grey. 4 rubber feet with screw are included in delivery.

Order No	Length	Width	Height	Colour
NIE.3	257/270mm	365mm	125mm	light grey



Steel Sheet Enclosure

Enclosure made from 1mm steel sheet covered with black plastic. Front- and back panel made from 1.5mm aluminium, closed with screws

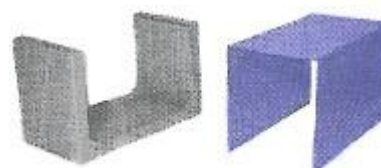
Order No	Length	Width	Height	Colour
NAL.A1	203mm	114mm	64mm	black/alu
NAL.A2	225mm	140mm		



Steel Sheet Enclosure Bicolour Lacquered

Enclosure made from 1mm steel sheet
Top part light blue, bottom part grey

Order No	Length	Width	Height	Colour
NPI	159mm	84mm	102mm	light blue/grey



Metal Enclosure Teko Series KB

- Chassis part made from 1mm sheet steel, bottom part tinned
- Top part made from 1.5mm black covered aluminium
- Each enclosure has 4 mounting screws included in delivery

Order No	Length	Width	Height	Colour
NKB.1	114mm	49.5mm	26.5mm	black
NKB.2		95.5mm		
NKB.3		142mm		



Steel Sheet Enclosure Häwa Series 2470

For accommodating transformers and measuring instruments or for metal protection of electronic or electrotechnical components. Ventilation through slots in the top of the rear side.

Order No	Depth	Width	Height	Colour
NIA.3	118mm	212mm	146mm	light grey
NIA.4	153mm			
NIA.10		203mm	300mm	
NIA.11	442mm			
NIA.13				



Suitable Front Panel

Front panel without handles (handles see page 28)

Order No	Fits Enclosure	Colour
NFA.3	NIA.3 + NIA.4	light grey
NFA.10	NIA.10 + NIA.11	
NIA.13	NIA.13	



Chassis Plate

Consisting of chassis plate, spacers and mounting hardware
Material: 16 ga sheet steel
Surface finish: Zinc galvanized and blue chromed

Order no	Suitable	
NUA.3	NIA.3	blue chromed
NUA.4	NIA.4	
NUA.10	NIA.10	
NUA.11	NIA.11	
NUA.13	MIA.13	



Mounting Screws

Mounting screws for chassis and front plate suitable NUA.xx
8 screws M4x10 DIN84
8 washers M4 DIN125
4 nuts M4 DIN934
4 fan washers M4 A4,3 DIN6798

Order No	Suitable	
NUA.S	Häwa Series 2470	



Sheet Steel Enclosure Häwa Series 2409

Ideal for smaller switch and wiring systems

Material: 16 ga sheet steel
 Cover: Flush w ith housing, opening angle 120°
 Locking: Double mandrel 0.12"
 Sealing: Foam sealing in cover
 Protection class: IP 669,
 Nema 4, 12, 13
 Grounding: Connection in housing and cover
 Surface finish: Pow der coating RAL 7035, texture finish



Order No	Depth	Width	Height	Colour
NKK.10	80mm	150mm	200mm	light grey
NKK.20			300mm	
NKK.30	120mm	200mm	400mm	
NKK.40			300mm	
NKK.50			300mm	

Suitable Mounting Plates

Material: 14 ga sheet steel
 Surface finish: Galvanized



Order No	Suitable	Width	Height	Colour
NKK.E10	NKK.10	105mm	185mm	orange
NKK.E20	NKK.20		285mm	
NKK.E30	NKK.30	155mm	385mm	
NKK.E40	NKK.40		385mm	
NKK.E50	NKK.50		255mm	

Wall Attachment Brackets

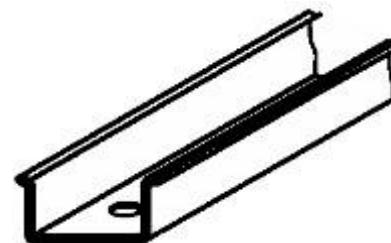
For w all mounting of junction boxes



Order No	Distance to Wall		
NKK.L12	12mm		
NKK.L40	40mm		

Equipment Rail

Equipment rail to DIN 60715 1.38" x 0.59",
 thickness 16 ga



Order No	Suitable	Length		
NKK.S200	NKK.30/40	191mm		
NKK.S300	NKK.50	291mm		

Steel Sheet Enclosure Häwa 2431

Colour: Light grey
 Surface finish: Painted RAL 7032, texture finish
 Material: Sheet steel 1mm
 Protection class: IP 40
 Lid attached with screws



Order No	Length	Width	Height	Colour
NBU.1	150mm	120mm	80mm	light grey
NBU.2	220mm	150mm		
NBU.3	270mm	170mm	110mm	

Steel Sheet Enclosure JBE Breitenstein Serie G

Bottom part blue chromed
 Top part inside and outside lacquered with RAL 7032 (light grey) textured



Order No	Length	Width	Height	Colour
NIG.2	160mm	112mm	55mm	light grey/blue

Working Tray

This plastic dish helps you find your small electronic components easily.



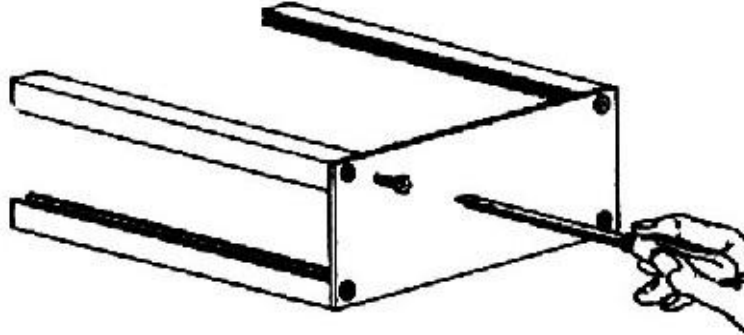
Order No	Length	Width	Height	Colour
BKM.G062	205mm	130mm	35mm	



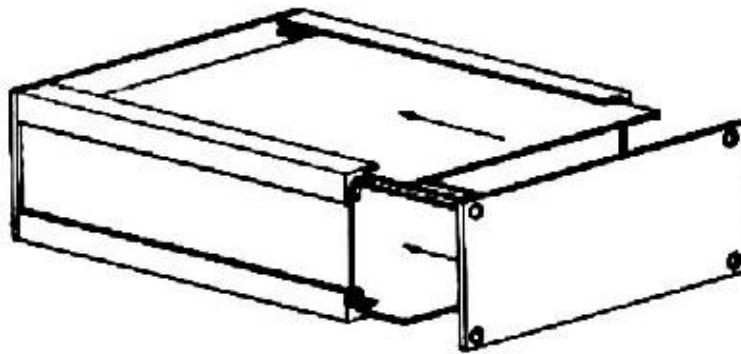
Assembly of Profile Enclosures

- easy assembly, all parts are made of aluminium
- each part is level

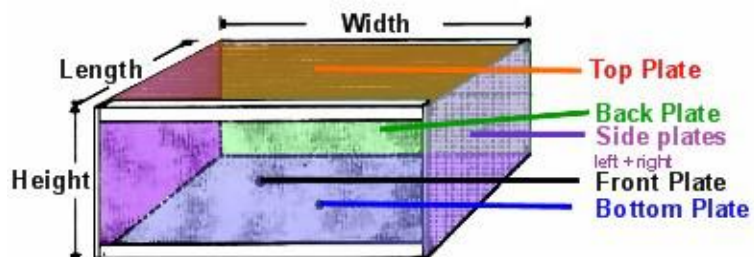
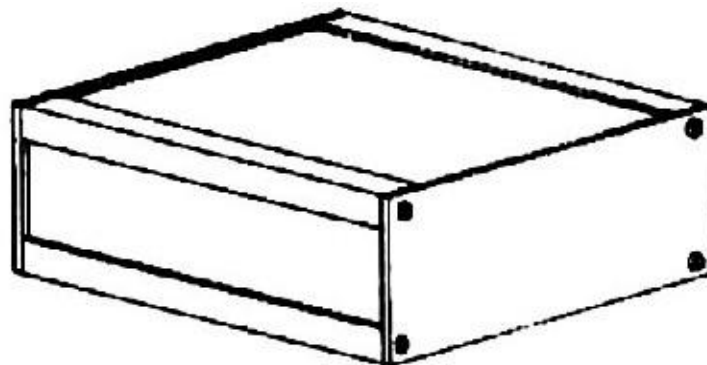
One side part is screwed onto the profiles



Front, back and bottom plates are slid into the profile slots



The second side part is then screwed onto the profiles and the enclosure is now finished.



Profile Enclosures

Consisting of profiles and 1mm aluminium sheets
Profiles, front, bottom and side sheets are black anodised or raw aluminium

Order No	Length	Width	Height	Colour
NBJ.1004	100mm	100mm	50mm	
NBJ.1005		150mm		
NBJ.1010		100mm	60mm	
NBJ.1011		150mm		
NBJ.1050		150mm		
NBJ.1016		100mm	70mm	
NBJ.1017		150mm		
NBJ.1022		100mm	80mm	
NBJ.1023		150mm		
NBJ.1051		120mm	180mm	60mm
NBJ.2012	150mm	200mm	40mm	
NBJ.1052		200mm	60mm	
NBJ.1053		200mm		
NBJ.1048	200mm	200mm	80mm	
NBJ.1047		300mm		
NBJ.1055		300mm		
NBJ.1028		300mm	100mm	
NBJ.1056		300mm		
NBJ.1034		300mm	150mm	
NBJ.1029		400mm	100mm	
NBJ.2013	150mm	250mm	40mm	
NBJ.1057	300mm	200mm	100mm	
NBJ.1032		400mm		
NBJ.1038		400mm	150mm	



Raw alu



Black alu



Profile Enclosure for Eurocard 100 x 160mm

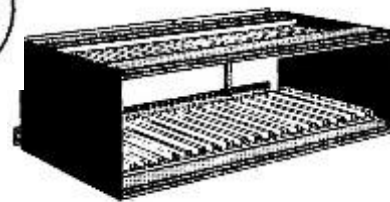
Order No	Length	Width	Height	Colour
NBJ.1049	111mm	164mm	90mm	
NBJ.1058				

Raw alu

Profile Subrack

Consisting of 2mm raw aluminium side sheets matt anodised, for profiles inclusive slotted card guides for Eurocards 100mm x 160mm
Size of slotted card guides 3 x 5.08mm
Delivery as kit set inclusive mounting screws

Order No	Length	Width	Height	holds
NBJ.6001	170mm	110mm	128mm	7 Eurocards
NBJ.6002		217mm		14 Eurocards
NBJ.6003		324mm		21 Eurocards
NBJ.6004		430mm		28 Eurocards



Raw alu

Enclosed Profile Subrack

Consisting of two shells with black anodised coating, 2mm front panel raw aluminium anodised, 2mm back panel raw aluminium and four profiles inclusive slotted card guides for Eurocards 100 x 160mm
Size of slotted card guides 3 x 5.08mm
Delivery as kit set inclusive mounting screws

Order No	Length	Width	Height	holds
NBJ.6521	213mm	164mm	134mm	7 Eurocards
NBJ.6522		270mm		14 Eurocards



Raw alu

Table of all our Enclosures (sorted by size)

Subject to alterations and errors. Pictures are a guide only.

Profile Enclosure for Installation

Consisting of 2mm aluminium sheet and profiles
 Profiles, side, bottom and cover sheets are raw aluminium anodised
 The cover sheet has a 25mm overhang
 Delivery as kit set inclusive mounting screws



Order No	Length	Width	Height	Colour
NBJ.2107	100mm	350mm	200mm	alu
NBJ.2108			250mm	
NBJ.2109			300mm	

Profile Desk Top Enclosure

The side parts are made of 3mm aluminium sheets with anodised black coating
 The front plate is made of 1mm raw matt aluminium sheet
 The profiles are raw aluminium
 The bottom and back plates are raw aluminium sheet



Order No	Length	Width	Height	Colour
NBJ.7001	150mm	152mm	36.5/72mm	black/alu
NBJ.7004	300mm			

Profile Rails

Sheets or panels can be slid into these profiles from 4 or 6 sides. The sheets or panels are attached lengthwise with screws only or screws and square nuts. The sheets or panels on the front and end sides are attached with screws.

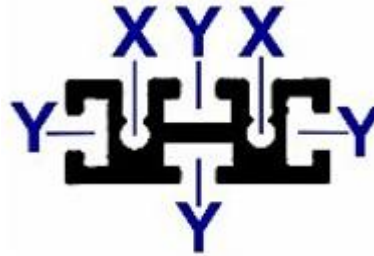
Legend:

X = Round hole for 3mm thread. Suitable to attach sheets or panels on the front and end sides.

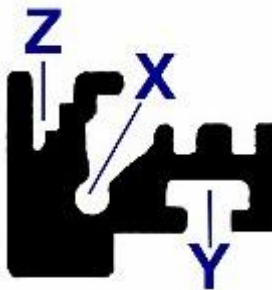
Y = Slot to insert square M3-nuts, suitable to attach panels to the surface area.

Z = Stepped channel to insert 1mm, 2mm or 3mm panels or sheets.

Order No	Mounting on	Length	Colour
NPS.A1000	6 sides	1m	raw alu



NPS.CG1000	4 sides	1m	raw alu



MSM.M3P	Suitable square M3-nuts		



Aluminium Sheet

Aluminium sheets cut to size
We stock 2m long sheets from the sizes below and we can cut them to any length required ($\pm 2\text{mm}$)

Order No	Thickness	Width
NXB.100	1mm	100mm
NXB.200		200mm
NXB.300		300mm
NXC.100	1.5mm	100mm
NXC.200		200mm
NXC.300		300mm
NXD.100	2mm	100mm
NXD.200		200mm
NXD.300		300mm



Accessories to Enclosures

Plastic Carrying Handle

Order No	Hole Spacing	Diameter Handle	Colour
NGD	110mm	16mm	black



Carrying Handle

Plastic, with steel spring insert, caps (2-section clip-on) and mounting hardware

Order No	Hole Spacing	Width Handle	Colour
NGK.0	190mm	20mm	black
NGK.8			grey



Carrying Handle

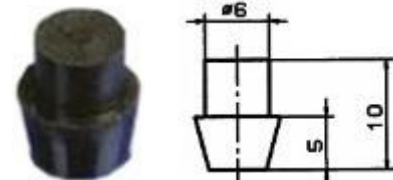
Round steel with decorative disc
Material: steel (9 S 20 K)
Surface: polished and chromed

Order No	Hole Spacing	Diameter Handle	
NGM.55	55mm	7mm	
NGM.88	88mm	8mm	
NGM.100	100mm	10mm	
NGM.120	120mm	10mm	

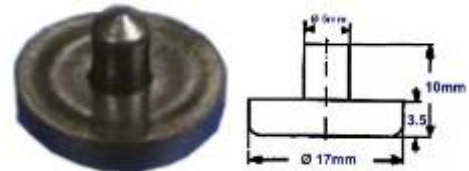




Soft PVC Bumper Foot				
Order No	Width	Height	Diameter Hole Ø	Colour
MUM	8mm	5mm	6mm	black



Soft PVC Bumper Foot				
Order No	Width	Height	Diameter Hole Ø	Colour
MUO	17mm	3.5mm	5mm	black



Polyurethen and Rubber Feet to Screw-On				
Order No	Width	Height	Material	Colour
MUG.11	12mm	7mm	Rubber	black
MUG.17	17.5mm	9mm	Polyurethan	



Polyurethen Feet Self-Adhesive				
Order No	Width	Height	3M-Number	Colour
MUG.220	22.3mm	10.1mm	SJ-5009	black
MUG.221				brown
MUG.229				white



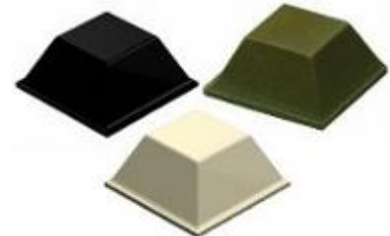
Order No	Width	Height	3M-Number	Colour
MUU.0	11.1mm	5mm	SJ-5003	black
MUU.1				brown
MUU.9				white



Order No	Width	Height	3M-Number	Colour
MUX.0	12.7mm	3.5mm	SJ-5012	black
MUX.1				brown
MUX.9				white



Order No	Width	Height	3M-Number	Colour
MUY.0	12.7mm	5.8mm	SJ-5018	black
MUY.1				brown
MUY.9				white
MUZ.0	20.6mm	7.6mm	SJ-5023	black
MUZ.1				brown
MUZ.9				white



Order No	Width	Height	3M-Number	Colour
MUP.8	7.9mm	2.2mm	SJ-5302	clear

